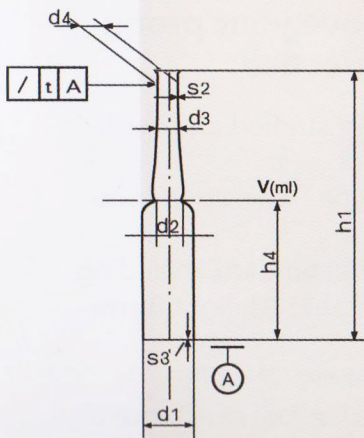


Chinese Form B Type Ampoules Series

ml	d1	d2	d3	d4	h1	h4	s2	s3	V(ml)
1ml	10.0	6.3	7.8	5.0	60.0	25.0	0.20	0.20	1.5
2ml	11.5	7.0	8.5	5.5	70.0	36.5	0.20	0.20	2.9
3ml	12.75	7.3	8.5	6.0	75.0	39.5	0.20	0.20	3.5
5ml	16.0	8.2	10.0	6.0	87.0	43.0	0.20	0.30	6.8
10ml	18.40	8.8	11.0	6.8	102.0	58.5	0.25	0.30	12.3

ISO 9167-1 Form B Type Ampoules Series

ml	d1	d2	d3	h1	h4	s2	s3	V(ml)
1ml	10.75	6.5	6	60	25.5	0.37	0.3	1.5
2ml	10.75	6.5	6	72	37.5	0.37	0.3	2.3
3ml	12.75	6.5	6	75	39.5	0.37	0.3	3.5
5ml	14.75	7	7	83	46.5	0.40	0.4	5.5
10ml	17.75	7.5	7.1	102	62	0.47	0.4	11.5



Clear Glass Tubing

Made of Low Borosilicate Glass Specification Scope: 9.5mm-30mm